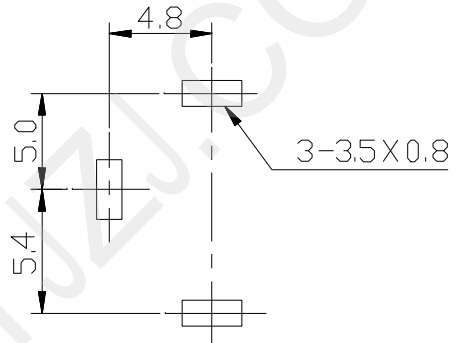
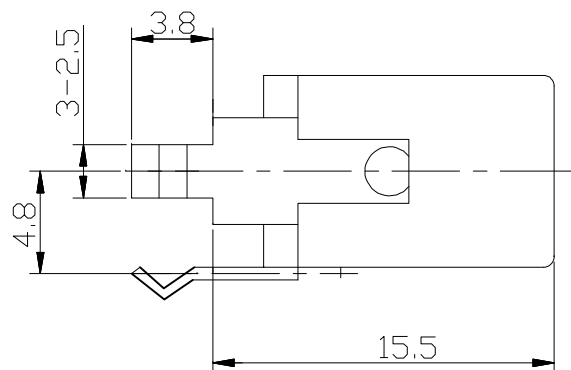
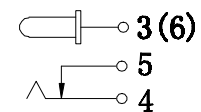


SCHMATIC



HOLE LAYOUT
(BOTTOM VIEW)

SPECIFICATION

1. Rating : DC 20V 2.5A;
2. Contact resistance: $\leq 50\text{m}\Omega$;
3. Insulation resistance: $\geq 100\text{M}\Omega$ (DC250V);
4. Withstand voltage: 500VAC ;
5. Insertion and extraction force: 3-25N;
6. life test: 5,000 cycles.



深圳市华宇创精密电子有限公司

TOLERANCE: X.X ±0.30 X.XX ±0.25 X.XXX ±0.15 X' ±2' X.X' ±0.5'	DRAWN BY : 陈一鸣	DATE : 2014-02-23	PART NAME: DC-013 弯脚	
	CHECKED BY: 马跃	DATE : 2014-02-23	PART NO. HYC-DC013-200	MOLD NO.
UNIT: mm [inch] SCALE:1:1 SIZE: A4	APPROVED BY: 柯南	DATE : 2014-02-23	DRAW NO: HYC-1910231654	SHEET NO. 1 OF 1